

# Fanvil PN1 2-Wire Converter



## Description

Fanvil PN1 is a 2-wire converter featuring a unique design that facilitates the reuse of existing wires. It requires no cumbersome installation or wiring, simply plug it in and it's ready to use. This not only saves installation time but also significantly reduces overall wiring costs. This innovative feature makes PN1 an ideal choice for quick and efficient deployment in existing infrastructure, providing users with a more convenient and cost-effective experience.

## Main Features



Connect any PoE-enabled IP device using a 2-wire cable to simplify the wiring process



Reuse existing wires (PSTN & AWG cables) to save wiring costs



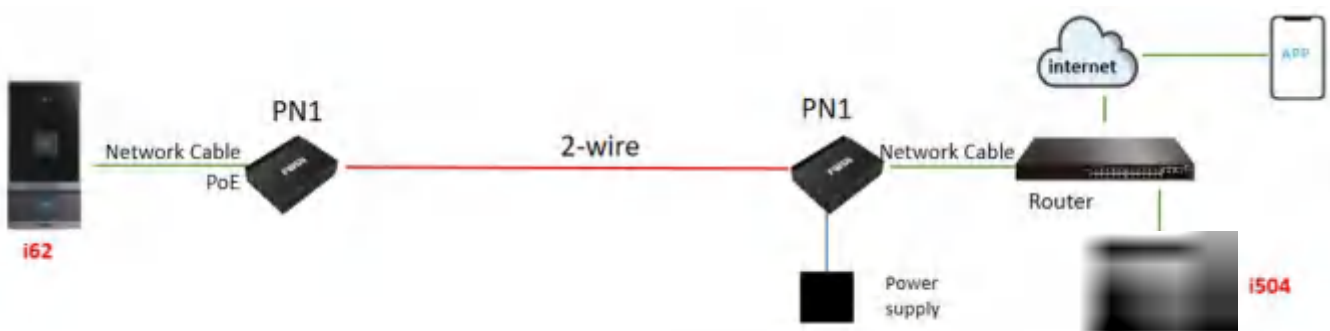
Compatible with PN8 and PN24 switches for network and power supply, enabling flexible networking



No master-slave distinction between the two PN1 converters  
Maximum transmission distance is up to 300 meters (Network and power supply)



Standard PoE output (IEEE 802.3af/at)



Fanvil Technology Co., LTD

Add: 10F, Block A, Dualshine Global Science Innovation Center, Honglang North 2nd Road, Bao'An District, Shenzhen, China

Phone: 0755-26402199 E-mail: sales@fanvil.com Web: www.fanvil.com

## Specifications

<b>Scenario</b>	Community, Hotel, Villa, Renovation of an old building
<b>Body</b>	ABS
<b>Color</b>	Gunmetal
<b>Ethernet Interface</b>	Connector Type: RJ45 Speed: 10/100 Base T, auto-negotiation IEEE 802.3 af/at PoE+
<b>2-Wire Interface</b>	2-wire port *1
<b>Reset</b>	1
<b>Status Indicator Lights</b>	Power indicator light (Red) Network indicator light (Green)
<b>Power</b>	100V~240V input, max:80W output
<b>Transmission Distance</b>	300M (network and power supply),1600M (Only supply network), depends on wiring and interference CAT 5e, 24AWG, RVV 2*0.5, or Similar
<b>Working Temperature</b>	-20°C~+50°C
<b>Storage Temperature</b>	-30°C~+80°C
<b>Installation</b>	Wall-mounted/Flush-mounted
<b>Weight</b>	0.69KG
<b>Minimal Package</b>	2*PN1 1*Power adapter
<b>Product Size (LWH)</b>	85×68×22.7mm
<b>Box Size (LWH)</b>	202×123×64mm